

# 19" OPEN FRAME PATCH RACK

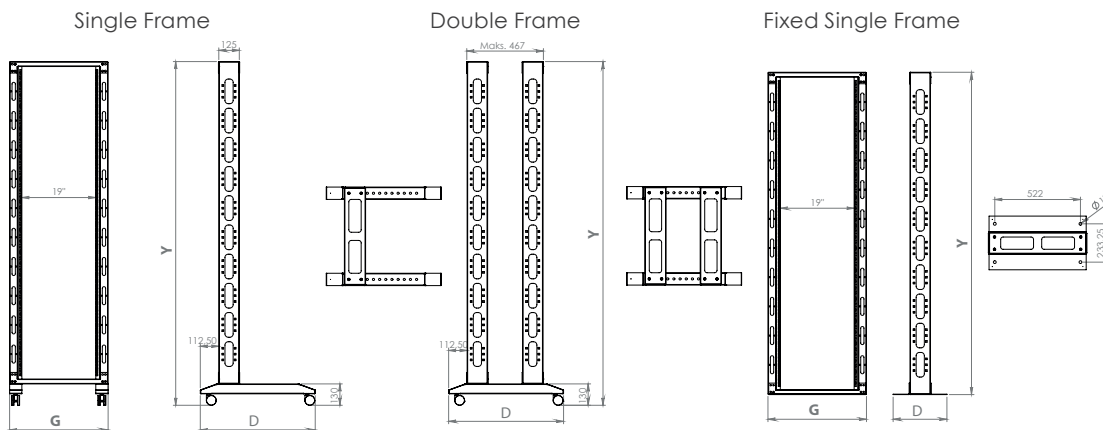
Canovate® Open Frame Racks are designed for a professional cable management in protected Data Center rooms. Special cabling sections on the left and right sides provide a flexible and proper cable management.

## Technical Features

<b>Material</b>	2.0 mm steel
<b>Color</b>	RAL 7035 or RAL 9005
<b>Compliance</b>	RoHS, UL Certified
<b>Maximum Static Load</b>	Up to 600 kg.
<b>Finish</b>	Frame: Electrostatic Powder Paint

## Standard Configuration:

- Superior design for complex cable management
- 19" universal hole pattern for front and side mounting of equipment
- Easy cable management through large cut outs on the frame and cable conducts by cable clamps can be mountable on all faces
- Base openings ready for individual positioning of the frame
- Base plate or castors
- Flat pack delivery available

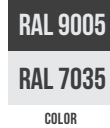
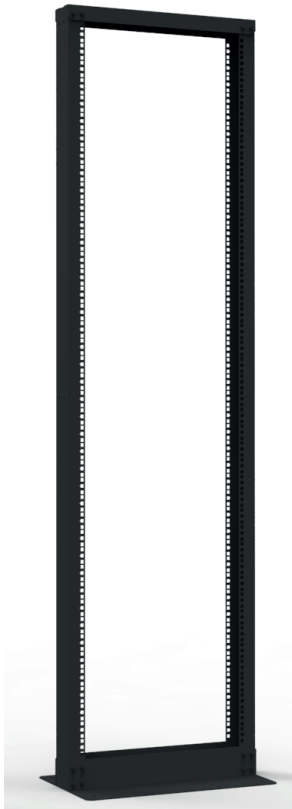


Single Frame Open Rack					
Product Description	Height (U)	Height (mm)	Width (mm)	Depth (mm)	Part No
26U Single Open Frame	26	1382,1	600	700	CSL-X-26YYA1
42U Single Open Frame	42	2093,3	600	700	CSL-X-42YYA1
47U Single Open Frame	47	2315,5	600	700	CSL-X-47YYA1

Double Frame Open Rack					
Product Description	Height (U)	Height (mm)	Width (mm)	Depth (mm)	Part No
26U Double Open Frame	26	1382,1	600	700	CSL-X-26YYA2
42U Double Open Frame	42	2093,3	600	700	CSL-X-42YYA2
47U Double Open Frame	47	2315,5	600	700	CSL-X-47YYA2

Fixed Single Frame Open Rack					
Product Description	Height (U)	Height (mm)	Width (mm)	Depth (mm)	Part No
26U Fixed Single Open Frame	26	1252,1	600	327,5	CSL-X-26YYA3
42U Fixed Single Open Frame	42	1963,3	600	327,5	CSL-X-42YYA3
47U Fixed Single Open Frame	47	2185,5	600	327,5	CSL-X-47YYA3

X (Color code): 7:RAL 7035 Light Grey, 9:RAL 9005 Black



# 2-POST OPEN FRAME RACK

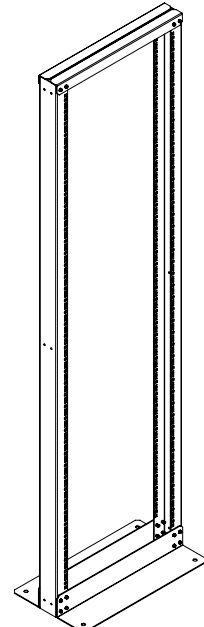
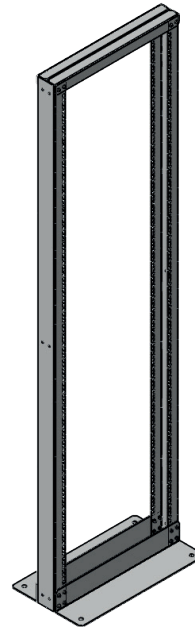
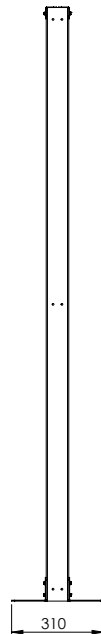
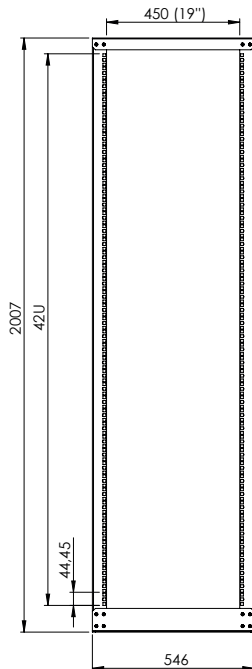
Canovate Two-Post Racks offer the strength and stability of a cabinet in an open architecture. Two-Post Racks provide easy access to the cabling and equipments, and unrestricted airflow for ventilation. They are compatible with a wide variety of Canovate cable management accessories.

## Technical Features

Material	2.0 mm steel
Color	RAL 7035 or RAL 9005
Finish	Frame: Electrostatic Powder Paint
Maximum Static Load	Up to 600 kg.

## Standard Configuration:

- Stability and strength of a welded steel enclosure in an open two-post frame
- Open design for unrestricted airflow and easy access to the cabling and equipments
- Maximizes floor space with a minimal rack footprint
- Rack-mount units are marked and numbered on the mounting channels
- Easy to bay together to create multi-rack configurations
- Compatible with Canovate cable management accessories
- Support large equipment on heavy-duty shelves or on side-mounted Equipment Support Rails



## Order Information

Product Description	Height (U)	Height (mm)	Width (mm)	Depth (mm)	Part No
42U 2-Post Open Frame	42	2007	546	310	CSL-X-42YYA8
47U 2-Post Open Frame	47	2246	546	310	CSL-X-47YYA8



CERTIFIED



CERTIFIED



MAX. STATIC LOAD

**RAL 9005**

**RAL 7035**

COLOR

# 4-POST OPEN FRAME RACK

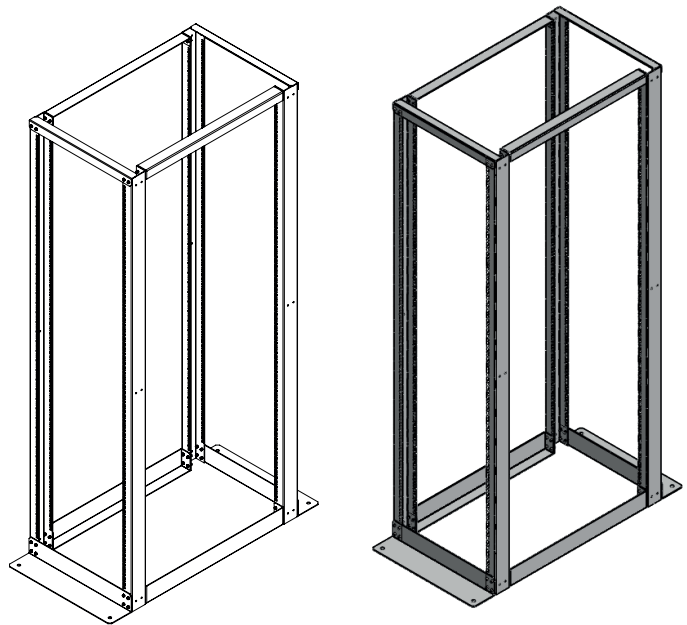
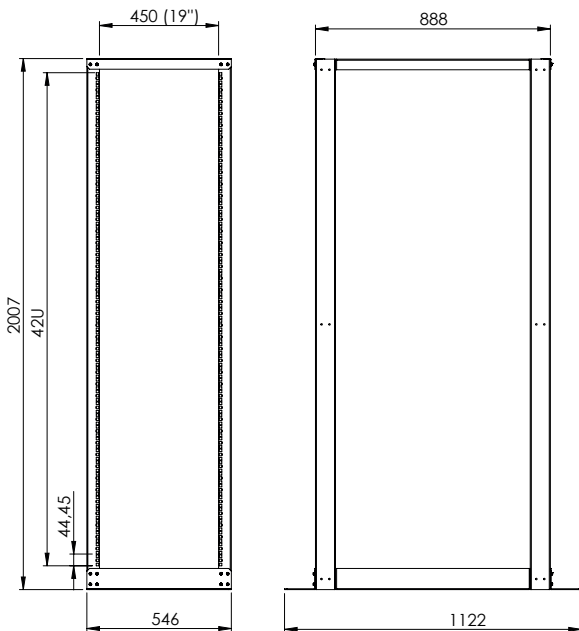
Canovate Four-Post Racks offer the strength and stability of a cabinet in an open architecture. Four-Post Racks provide easy access to the cabling, equipments, and unrestricted airflow for ventilation. They are compatible with a wide variety of Canovate cable management accessories

## Technical Features

<b>Material</b>	2.0 mm steel
<b>Color</b>	RAL 7035 or RAL 9005
<b>Finish</b>	Frame: Electrostatic Powder Paint
<b>Maximum Static Load</b>	Up to 600 kg.

## Standard Configuration:

- Stability and strength of a welded steel enclosure in an open fourpost frame
- Open design for unrestricted airflow and easy access to the cabling and equipments
- Maximizes floor space with a minimal rack footprint
- Rack-mount units are marked and numbered on the mounting channels
- Easy to bay together to create multi-rack configurations
- Compatible with Canovate cable management accessories
- Support large equipment on heavy-duty shelves or on side-mounted Equipment Support Rails



## Order Information

Product Description	Height (U)	Height (mm)	Width (mm)	Depth (mm)	Part No
42U 4-Post Open Frame	42	2007	546	1122	CSL-X-42YYA7
47U 4-Post Open Frame	47	2246	546	1122	CSL-X-47YYA7