



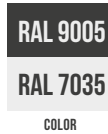
**WALLMOUNT
SOLUTIONS**

SINGLE WALL MOUNT CABINET

WITH OPENABLE SIDE PANELS FROM OUTSIDE

Technical Features

Material	1-1, 5-2 mm steel
Color	RAL 7035 or RAL 9005
Maximum Static Load	Up to 80 kg.
Finish	Electrostatic Powder Paint

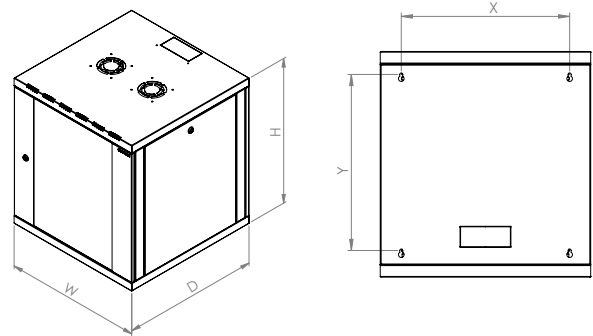


Standard Configuration

- Steel frame
- Glass door with cylindrical lock
- Openable side panels from outside
- 1 Pair of heavy duty 19" Mounting Rails
- RoHS compliant, UL Certificated
- Flat Pack option available

Option

- Adjustable feet or Castor Set (Solid front door)
- Available as floor standing cabinet as an option with castors or adjustable feet



Height (U)	Outer Width (W) mm	Outer Depth (D) mm	Outer Height (H) mm	Inner Width mm	Inner Depth mm	Inner Height mm	19" Rails Adjustable Depth Range (c)	X	Y	Weight (kg)	Part No
6U	600	400	376	500	358	268	105-240	480	233	15	WS3O-X-0664F
6U	600	600	376	500	558	268	105-440	480	233	18	WS3O-X-0666F
9U	600	400	498	500	358	410	105-240	480	368	19	WS3O-X-0964F
9U	600	600	498	500	558	410	105-440	480	368	22	WS3O-X-0966F
12U	600	400	631	500	358	543	105-240	480	501	23	WS3O-X-1264F
12U	600	600	631	500	558	543	105-440	480	501	26	WS3O-X-1266F
15U	600	400	765	500	358	675	105-240	480	635	27	WS3O-X-1564F
15U	600	600	765	500	558	675	105-440	480	635	30	WS3O-X-1566F
18U	600	400	898	500	358	809	105-240	480	768	31	WS3O-X-1864F
18U	600	600	898	500	558	809	105-440	480	768	34	WS3O-X-1866F
21U	600	400	1022	500	358	943	105-240	480	902	34	WS3O-X-2164F
21U	600	600	1022	500	558	943	105-440	480	902	38	WS3O-X-2166F
24U	600	400	1177	500	358	1076	105-240	480	1035	36	WS3O-X-2464F
24U	600	600	1177	500	558	1076	105-440	480	1035	41	WS3O-X-2466F

X (Color code): 7:RAL 7035 Light Grey, 9:RAL 9005 Black

SINGLE WALL MOUNT CABINET

WITH OPENABLE SIDE PANELS FROM INSIDE

Technical Features

Material	1,2 mm steel
Color	RAL 7035 or RAL 9005
Maximum Static Load	Up to 80 kg.
Finish	Electrostatic Powder Paint



CERTIFIED



MAX. STATIC LOAD

RAL 9005

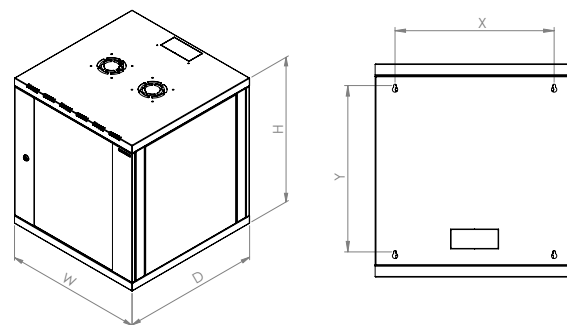
RAL 7035

COLOR



Standard Configuration

- Steel frame
- Glass door with cylindrical lock
- Openable side panels from inside for security
- 1 Pair of heavy duty 19" mounting rails
- Flatpack option available
- Adjustable feet or Castor Set
- RoHS compliant, UL Certificated



Height (U)	Outer Width (W) mm	Outer Depth (D) mm	Outer Height (H) mm	Inner Width mm	Inner Depth mm	Inner Height mm	19" Rails Adjustable Depth Range (c)	X	Y	Weight (kg)	Part No
6U	600	400	376	500	358	268	105-240	480	233	15	WS3N-X-0664A
6U	600	560	376	500	518	268	105-400	480	233	18	WS3N-X-0665A
9U	600	400	498	500	358	410	105-240	480	368	19	WS3N-X-0964A
9U	600	560	498	500	518	410	105-400	480	368	22	WS3N-X-0965A
12U	600	400	631	500	358	543	105-240	480	501	23	WS3N-X-1264A
12U	600	560	631	500	518	543	105-400	480	501	26	WS3N-X-1265A
15U	600	400	765	500	358	675	105-240	480	635	27	WS3N-X-1564A
15U	600	560	765	500	518	675	105-400	480	635	30	WS3N-X-1565A
18U	600	400	898	500	358	809	105-240	480	768	31	WS3N-X-1864A
18U	600	560	898	500	518	809	105-400	480	768	34	WS3N-X-1865A
21U	600	400	1022	500	358	943	105-240	480	902	34	WS3N-X-2164A
21U	600	560	1022	500	518	943	105-400	480	902	38	WS3N-X-2165A
24U	600	400	1177	500	358	1076	105-240	480	1035	36	WS3N-X-2464A
24U	600	560	1177	500	518	1076	105-400	480	1035	41	WS3N-X-2465A

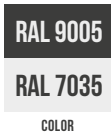
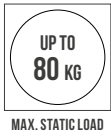
X (Color code): 7:RAL 7035 Light Grey, 9:RAL 9005 Black

SINGLE WALL MOUNT CABINET

WITH FIXED SIDE PANELS

Technical Features

Material	1-1, 5-2 mm steel
Color	RAL 7035 or RAL 9005
Maximum Static Load	Up to 80 kg.
Finish	Electrostatic Powder Paint

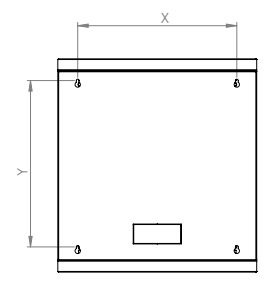
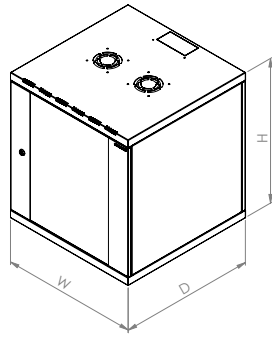


Standard Configuration

- Steel frame
- Glass door with cylindrical lock
- Fixed side panel
- 1 Pair of heavy duty 19" Mounting Rails
- RoHS compliant, UL Certified
- Flat Pack option available

Option

- Adjustable feet or Castor Set (Solid front door)
- Available as floor standing cabinet as an option with castors or adjustable feet



Height (U)	Outer Width (W) mm	Outer Depth (D) mm	Outer Height (H) mm	Inner Width mm	Inner Depth mm	Inner Height mm	19" Rails Adjustable Depth Range (c)	X	Y	Weight (kg)	Part No
6U	600	400	376	500	358	268	105-240	480	233	15	WS3F-X-0664A
6U	600	560	376	500	518	268	105-400	480	233	18	WS3F-X-0665A
9U	600	400	498	500	358	410	105-240	480	368	19	WS3F-X-0964A
9U	600	560	498	500	518	410	105-400	480	368	22	WS3F-X-0965A
12U	600	400	631	500	358	543	105-240	480	501	23	WS3F-X-1264A
12U	600	560	631	500	518	543	105-400	480	501	26	WS3F-X-1265A
15U	600	400	765	500	358	675	105-240	480	635	27	WS3F-X-1564A
15U	600	560	765	500	518	675	105-400	480	635	30	WS3F-X-1565A
18U	600	400	898	500	358	809	105-240	480	768	31	WS3F-X-1864A
18U	600	560	898	500	518	809	105-400	480	768	34	WS3F-X-1865A
21U	600	400	1022	500	358	943	105-240	480	902	34	WS3F-X-2164A
21U	600	560	1022	500	518	943	105-400	480	902	38	WS3F-X-2165A
24U	600	400	1177	500	358	1076	105-240	480	1035	36	WS3F-X-2464A
24U	600	560	1177	500	518	1076	105-400	480	1035	41	WS3F-X-2465A

X (Color code): 7:RAL 7035 Light Grey, 9:RAL 9005 Black

DOUBLE SECTION

WALL MOUNT CABINET

Technical Features

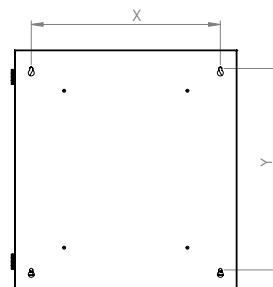
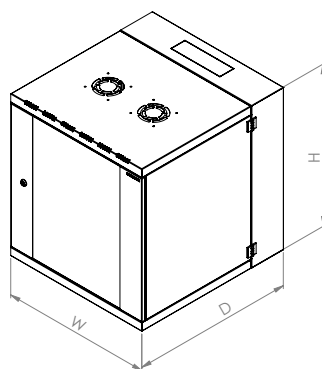
Material	1-1, 2-2 mm steel
Color	RAL 7035 or RAL 9005
Maximum Static Load	Up to 10 kg.
Finish	Electrostatic Powder Paint

Standard Configuration

- Steel frame
- Glass door with cylindrical lock
- Accessible from rear side with double hinged design
- 1 Pair of heavy duty 19" Mounting Rails
- Horizontal cable organizer on the back side
- RoHS compliant, UL Certified



COLOR



Height (U)	Outer Width (W) mm	Outer Depth (D) mm	Outer Height (H) mm	Inner Width mm	Inner Depth mm	Inner Height mm	19" Rails Adjustable Depth Range (c)	X	Y	Weight (kg)	Part No
6U	600	300+150	376	500	260+150	269	66-191	510	276	16	WS3D-X-066DA
6U	600	500+150	376	500	460+150	269	66-391	510	276	18	WS3D-X-066HA
9U	600	300+150	510	500	260+150	402	66-191	510	410	18	WS3D-X-096DA
9U	600	500+150	510	500	460+150	402	66-391	510	410	21	WS3D-X-096HA
12U	600	300+150	643	500	260+150	535	66-191	510	543	23	WS3D-X-126DA
12U	600	500+150	643	500	460+150	535	66-391	510	543	27	WS3D-X-126HA
15U	600	300+150	776	500	260+150	668	66-191	510	676	30	WS3D-X-156DA
15U	600	500+150	776	500	460+150	668	66-391	510	676	33	WS3D-X-156HA
18U	600	300+150	910	500	260+150	801	66-191	510	810	34	WS3D-X-186DA
18U	600	500+150	910	500	460+150	801	66-391	510	810	38	WS3D-X-186HA
21U	600	300+150	1044	500	260+150	934	66-191	510	943	37	WS3D-X-216DA
21U	600	500+150	1044	500	460+150	934	66-391	510	943	41	WS3D-X-216HA
24U	600	300+150	1176	500	260+150	1067	66-191	510	1076	40	WS3D-X-246DA
24U	600	500+150	1176	500	460+150	1067	66-391	510	1076	44	WS3D-X-246HA

X (Color code): 7:RAL 7035 Light Grey, 9:RAL 9005 Black

ECO SINGLE WALL MOUNT CABINET

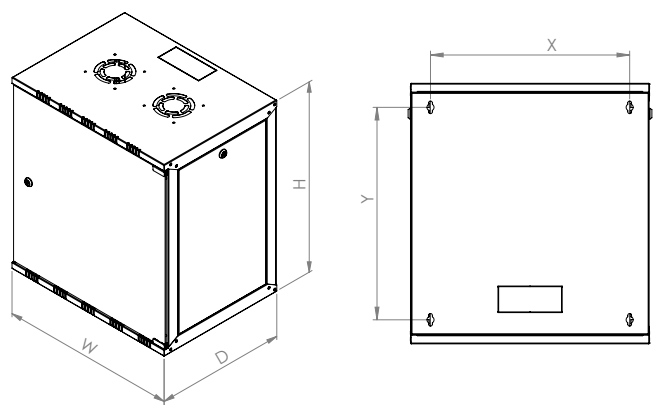
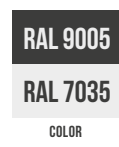
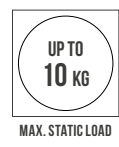
WITH OPENABLE SIDE PANELS FROM OUTSIDE

Technical Features

Material	1-1, 2-1,5 mm steel
Color	RAL 7035 or RAL 9005
Maximum Static Load	Up to 10 kg.
Finish	Electrostatic Powder Paint

Standard Configuration

- Steel frame
- Glass door with cylindrical lock
- Openable side panels from outside
- 1 Pair of 19" Mounting Rails
- RoHS compliant, UL Certified
- Flat Pack option available



Height (U)	Outer Width (W) mm	Outer Depth (D) mm	Outer Height (H) mm	Inner Width mm	Inner Depth mm	Inner Height mm	19" Rails Adjustable Depth Range (c)	X	Y	Weight (kg)	Part No
6U	540	400	322	495	370	280	64-310	450	213	9	WEO-X-06F4A
6U	540	450	322	495	420	280	64-360	450	213	10	WEO-X-06FDA
6U	540	550	322	495	520	280	64-460	450	213	11	WEO-X-06F5A
9U	540	400	455	495	370	280	64-310	450	346	11	WEO-X-09F4A
9U	540	450	455	495	420	280	64-360	450	346	12	WEO-X-09FDA
9U	540	550	455	495	520	280	64-460	450	346	13	WEO-X-09F5A
12U	540	400	588	495	370	280	64-310	450	480	14	WEO-X-12F4A
12U	540	450	588	495	420	280	64-360	450	480	15	WEO-X-12FDA
12U	540	550	588	495	520	280	64-460	450	480	16	WEO-X-12F5A
15U	540	400	721	495	370	280	64-310	450	613	17	WEO-X-15F4A
15U	540	450	721	495	420	280	64-360	450	613	18	WEO-X-15FDA
15U	540	550	721	495	520	280	64-460	450	613	19	WEO-X-15F5A

X (Color code): 7:RAL 7035 Light Grey, 9:RAL 9005 Black

PRO SLIM LINE WALL MOUNT CABINET

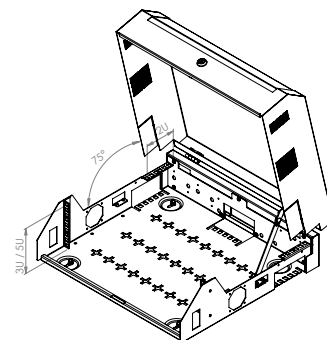
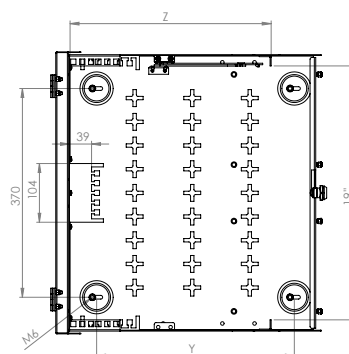
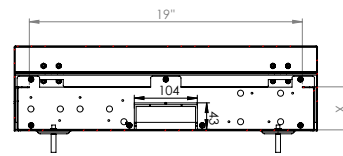
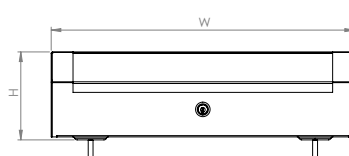
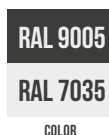


Technical Features

Material	1-1,5 mm steel
Color	RAL 7035 or RAL 9005
Maximum Static Load	Up to 50 kg.
Finish	Electrostatic Powder Paint

Standard Configuration

- Slim line design
- Offers a fine line solution for limited areas
- Cylindrical locked cover
- 19" 3U vertical +2U horizontal and 5U vertical +2U horizontal options
- The front cover with metal stopper mechanism. (In this way, during the operation (assembly or maintenance) the front cover can be kept in open position by stopper)



Height (U)	Outer Width (W) mm	Outer Depth (D) mm	Outer Height (H) mm	Inner Width mm	Inner Depth mm	Inner Height mm	19" Rails Adjustable Depth Range (c)	X	Y	Weight (kg)	Part No
3U+2U	500	490	145	450	268	140	71	351	357	9	WSL-X-0302A
5U+2U	500	700	230	450	376	225	161	511	465	15	WSL-X-0502A

X (Color code): 7:RAL 7035 Light Grey, 9:RAL 9005 Black

Minimum Order Quantity : 50 pcs

SLIM LINE

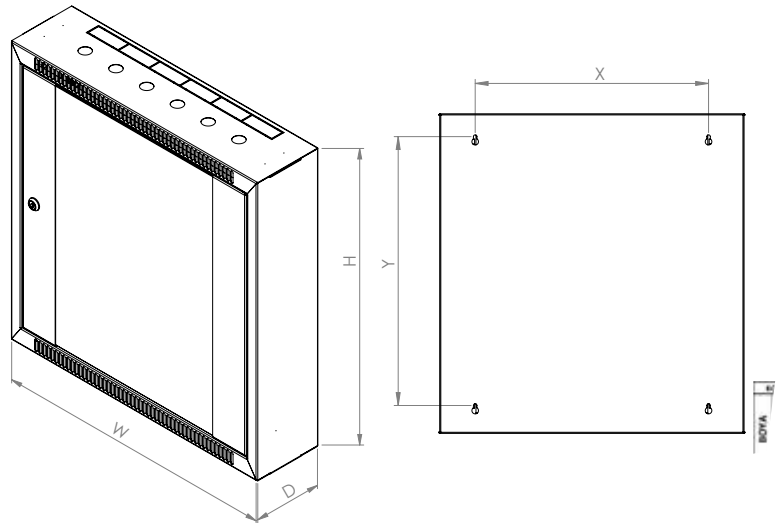
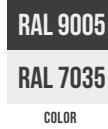
WALL MOUNT CABINET

Technical Features

Material	1-2 mm steel
Color	RAL 7035 or RAL 9005
Maximum Static Load	Up to 75 kg.
Finish	Electrostatic Powder Paint

Standard Configuration

- Steel frame
- Glass door with cylindrical lock
- Slim line solution for restricted areas
- 1 Pair of heavy duty 19" mounting rails
- RoHS compliant, UL certificated



Height (U)	Outer Width (W) mm	Outer Depth (D) mm	Outer Height (H) mm	Inner Width mm	Inner Depth mm	Inner Height mm	19" Rails Adjustable Depth Range (c)	X	Y	Weight (kg)	Part No
12U	600	150	599	525	113	534	30-90	460	530	12	WKE-X-1261A
15U	600	150	733	525	113	667	30-90	460	663	15	WKE-X-1561A
18U	600	150	897	525	113	800	30-90	460	796	17	WKE-X-1861A
24U	600	150	1163	525	113	1067	30-90	460	1060	21	WKE-X-2161A

X (Color code): 7:RAL 7035 Light Grey, 9:RAL 9005 Black